

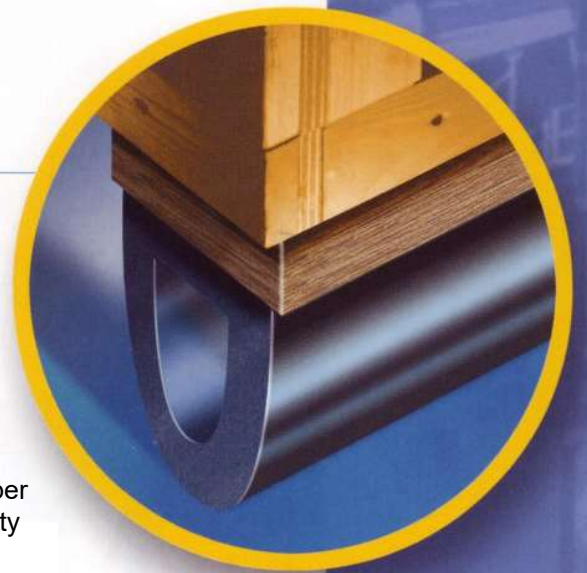
DAMPING FOR VIBRATION AND IMPACT OF TRANSPORTABLES

SKID-SAFE®

Shock and vibration are the main causes for damaged products during the transport.

This can cause damage in millions!

SKID-SAFE® damping-elements are made of vulcanized rubber and allow a cost-effective padding for sensitive and high-quality products.



Damage prevention: save and inexpensive

The SKID-SAFE® damping-system contains different sizes for tested load ranges.

So you can easily select the special sensitivity range for your product.



4 WEIGHT CLASSES OF SKID-SAFE®: FOR YOUR INDIVIDUAL SOLUTION

200 mm	140 - 180 kg
---------------	--------------

250 mm	180 - 220 kg
---------------	--------------

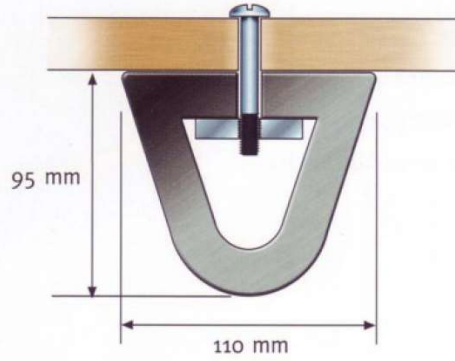
300 mm	220 - 260 kg
---------------	--------------

350 mm	260 - 300 kg
---------------	--------------

* means: each SKID-SAFE® can damp X kilograms

PRACTICALLY

SKID-SAFE® damping-system are installed as a base plate or in a floating packaging with a mounting plate and screws.



REUSABLE

Low stock requirement, high resistance and simplest assembly and disassembly make SKID-SAFE® to a ideal reusable product for your transport packaging.

